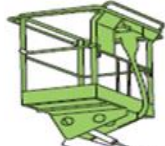


PRE-RENTAL BOOM LIFT CHECK OFF SHEET



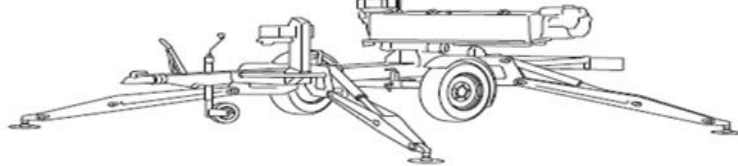
CUSTOMER NAME/CONTRACT NUMBER _____



CUSTOMER INITIALS _____

CUSTOMER INITIALS INDICATE CUSTOMER HAS BEEN SHOWN OPERATION OF LIFT AND IS CONFIDENT OF OPERATION OF LIFT, AND OPERATION MANUAL IS ON LIFT.

Employee Initials: _____



TRAILER BALL COUPLER _____

OUTRIGGERS _____

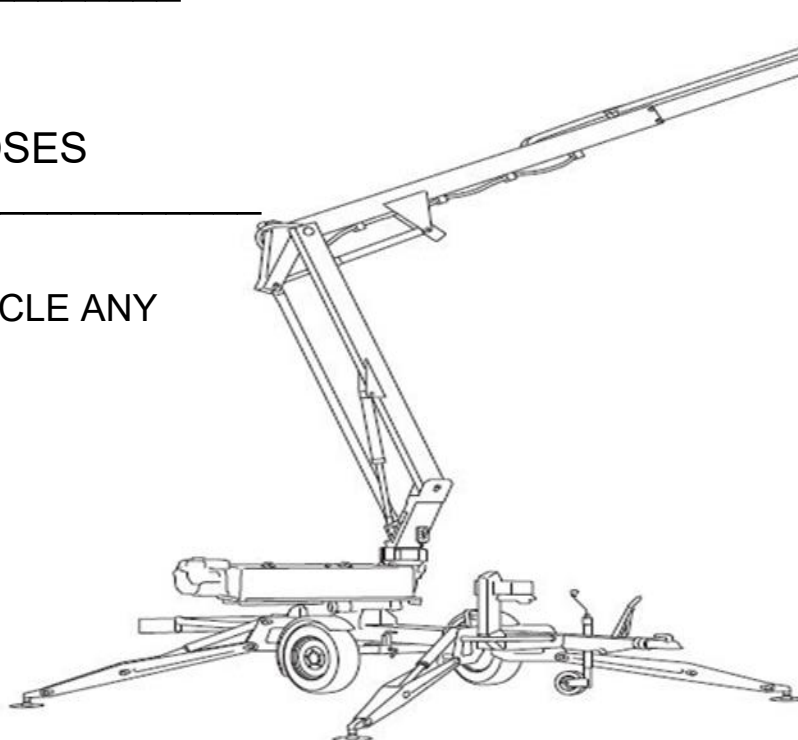
TIRES _____

HYDRAULIC HOSES AND FITTINGS _____



BUCKET _____

PLEASE NOTE/CIRCLE ANY DAMAGES



HAVE PICTURES BEEN TAKEN? YES / NO

VERIFY OPERATION MANUAL IS WITH MACHINE _____
COMPLETE AND RETURN TO SALES COUNTER _____



CUSTOMER'S COPY NIFTY TOWABLE BOOM LIFT



SCAN FOR COMPLETE SAFETY MANUAL

(Mobile device with quick response code application required)

-THE MAXIMUM RECOMMENDED TOWING SPEED OF A NIFTYLIFT IS 50 MPH WITH A VEHICLE THAT COMPLIES WITH ALL ROAD TRAFFIC REGULATIONS. SPEEDING MAY RESULT IN DEATH OR SERIOUS INJURY.

-All standard Niftylift machines are rated for a wind speed of 28mph. No attempt should be made to operate a Niftylift in wind strengths above this limit and if the operator has any doubts over the wind speed he / she should cease operation immediately until it can be established that the wind speed has fallen to a safe level.