

APPROXIMATELY 10 MINS OF VIDEO

MUST WATCH VIDEOS IF RENTING HYDRAULIC HAMMER WITH "EXCAVATOR"

WATCH IN ORDER 1-4



1

POSITION HAMMER SHOULD BE IN BEFORE AND AFTER USE.



2

ATTACH HAMMER HOSES AND VALVE CONTROL BEFORE USE



3

DISCONNECT HOSE AND VALVE CONTROL AFTER USE



4

HOW TO ATTACH BUCKET/HAMMER

THESE VIDEOS ARE TO HELP ASSIST THE CUSTOMER, BASED ON THE MANY WAYS ABC HAS TRIED THROUGH TRIAL AND ERROR TO TRY TO FIND THE MOST EFFICIENT WAY TO ATTACH THE HAMMER. PLEASE USE COMMON SENSE AND UNDERSTAND WHEN MOVING HYDRAULIC VALVE ATTACHMENTS COULD MOVE CAUSING PINCH POINTS AND COULD RESULT IN INJURY OR DEATH. IF YOU DO NOT UNDERSTAND THE PROCESS. DO NOT USE. AND CALL ABC.

CUSTOMER'S COPY

WARNING HYDRAULIC BREAKER SAFETY

Any piece of equipment can be dangerous if not operated properly. **YOU** are responsible for the safe operation of this equipment. The operator must carefully read and follow any warnings, safety signs and instructions provided with or located on the equipment. Do not remove, defeat, deface or render inoperable any of the safety devices or warnings on this equipment. **IF** any safety devices or warnings have been removed, defeated, defaced, or rendered inoperable, **DO NOT USE THIS EQUIPMENT!!!**

HYDRAULIC HAMMER MUST BE
OPERATED WITH PROPER
PRECAUTIONS OR DAMAGES WILL
OCCUR AND CUSTOMER WILL PAY
FOR MISUSE

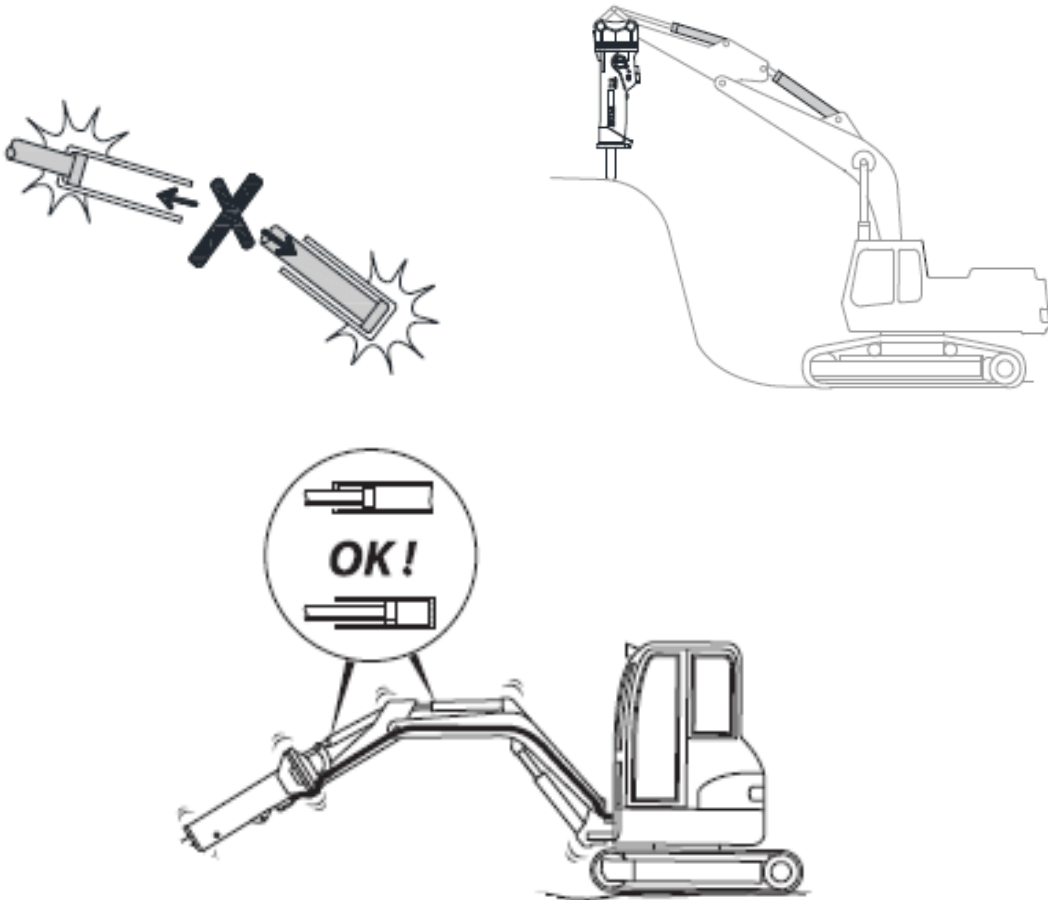
Proper position must be applied
for an effective usage of breaking
force.

When position is incorrect,
hammering energy of the piston is
too weak to break rocks

If the person receiving this handout will not be the user of the equipment, forward these instructions to the operator. **IF there is any doubt as to the operation or safety of the equipment DO NOT USE!! CALL ABC EQUIPMENT RENTAL IMMEDIATELY!! FAILURE TO FOLLOW THESE INSTRUCTIONS COULD RESULT IN INJURY OR DEATH.**

CUSTOMER'S COPY

1. Do not operate the breaker with the excavator's boom, stick or bucket cylinders at the end of their stroke (either fully extended or fully retracted). Damage to the excavator will result. Never run the breaker with the excavator cylinders at their end positions. It may cause damage to the excavator.

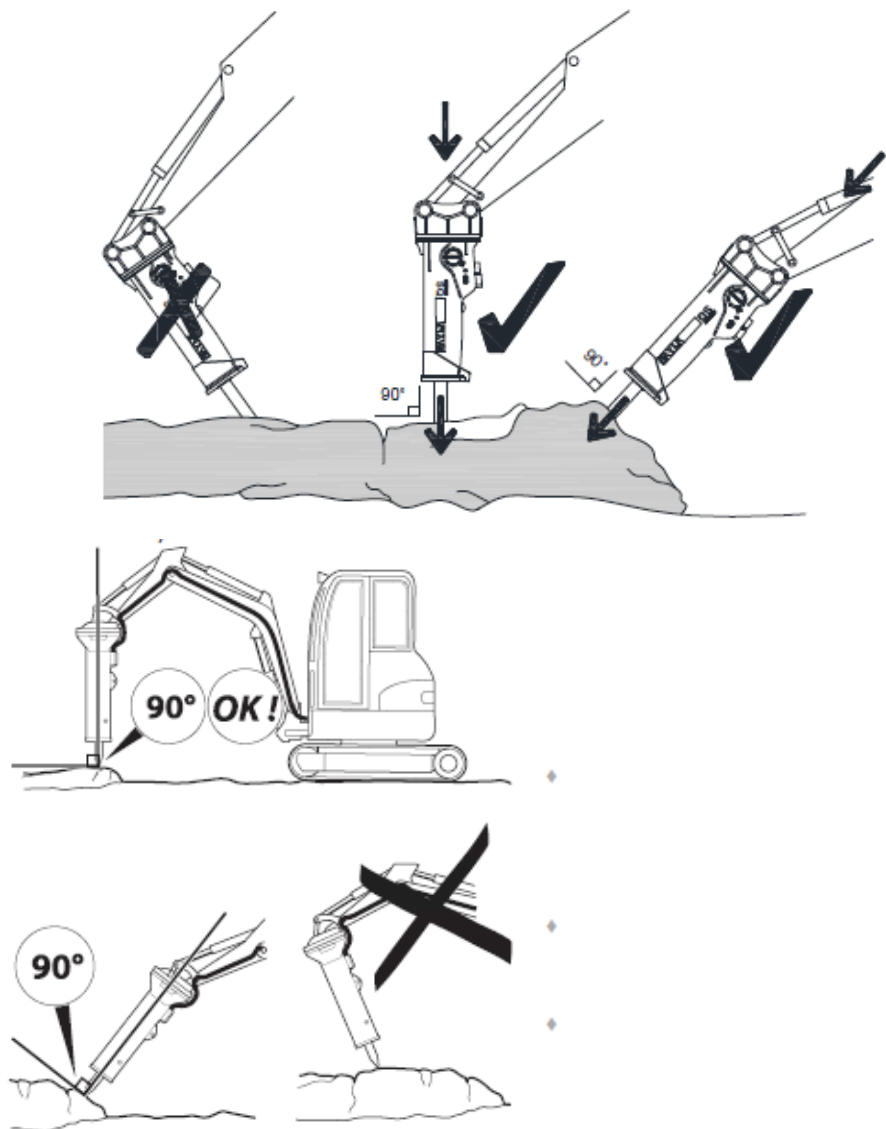


If the person receiving this handout will not be the user of the equipment, forward these instructions to the operator. **IF there is any doubt as to the operation or safety of the equipment DO NOT USE!! CALL ABC EQUIPMENT RENTAL IMMEDIATELY!! FAILURE TO FOLLOW THESE INSTRUCTIONS COULD RESULT IN INJURY OR DEATH.**

CUSTOMER'S COPY

2. Never start the hydraulic breaker until both excavator/loader and the hydraulic breaker are in the correct position.

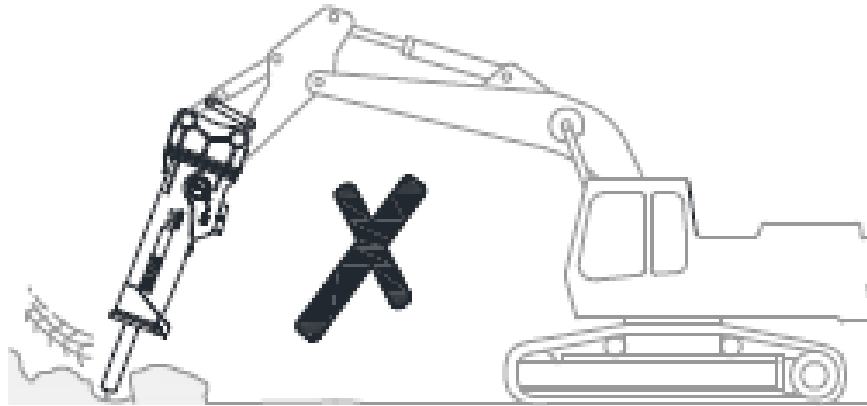
◆ Direct the hydraulic breaker in a position 90° towards the object.



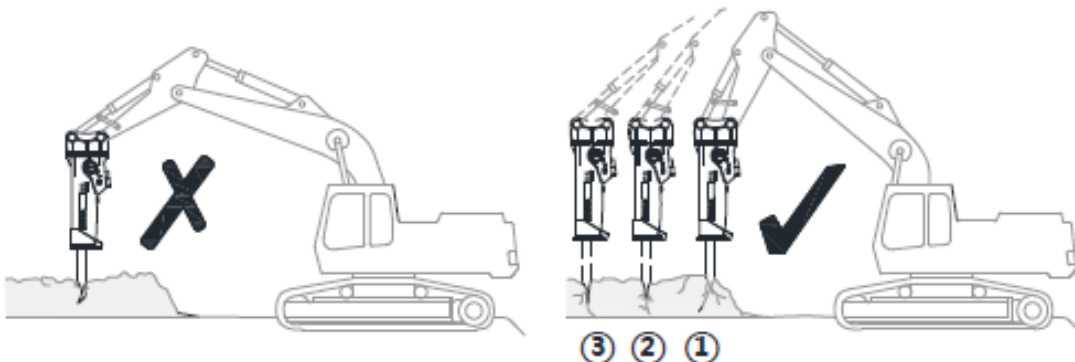
If the person receiving this handout will not be the user of the equipment, forward these instructions to the operator. **IF there is any doubt as to the operation or safety of the equipment DO NOT USE!! CALL ABC EQUIPMENT RENTAL IMMEDIATELY!! FAILURE TO FOLLOW THESE INSTRUCTIONS COULD RESULT IN INJURY OR DEATH.**

CUSTOMER'S COPY

3. Do not use the breaker rod to move rocks.



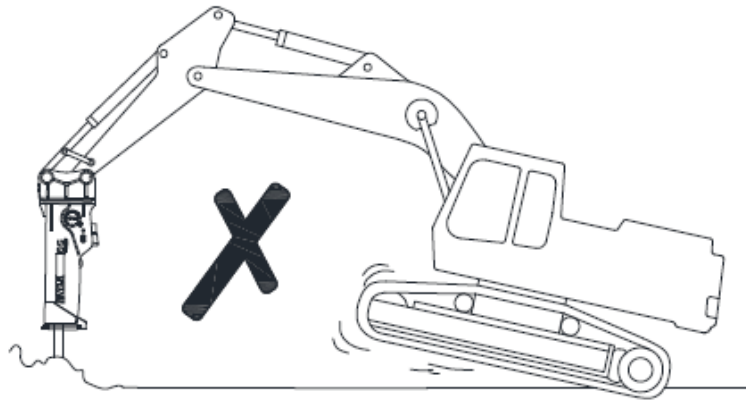
4. Apply same direction of boom force in line with the rod and place the rod in the rock with hammering surface as vertical as possible. If hammering surface is oblique, the rod may slip during hammering. This causes the rod to seize and to be broken and piston to be damaged. When breaking, fully stabilize the rod first and then select the point of a rock on which hammering can be performed in a stable condition



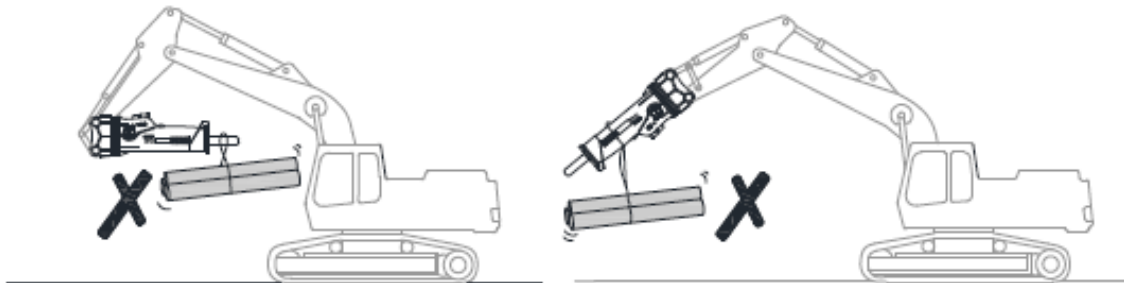
If the person receiving this handout will not be the user of the equipment, forward these instructions to the operator. **IF there is any doubt as to the operation or safety of the equipment DO NOT USE!! CALL ABC EQUIPMENT RENTAL IMMEDIATELY!! FAILURE TO FOLLOW THESE INSTRUCTIONS COULD RESULT IN INJURY OR DEATH.**

CUSTOMER'S COPY

5. when position is excessive enough to break rocks with front of the base machine raised, the machine may suddenly tilt forward the moment rocks are broken. Then, the breaker body or the end of bracket may violently hit against rocks and result in damage



6. Do not use the breaker or breaker rods for lifting. Lifting eyes on the breaker are for storage and maintenance purposes only



If the person receiving this handout will not be the user of the equipment, forward these instructions to the operator. **IF there is any doubt as to the operation or safety of the equipment DO NOT USE!! CALL ABC EQUIPMENT RENTAL IMMEDIATELY!! FAILURE TO FOLLOW THESE INSTRUCTIONS COULD RESULT IN INJURY OR DEATH.**

CUSTOMER'S COPY

<<<WARNING >>>

DAMAGE WAIVER DOES NOT COVER DAMAGE TO HOSES AND FITTINGS. CUSTOMER IS RESPONSIBLE FOR ALL HOSE AND FITTING DAMAGE!

Danger: This tool has and creates multiple pinch points. Keep hands, feet and other body parts clear at all times.

NEVER TOUCH A LEAKING HYDRAULIC HOSE IT CAN PIERCE YOUR SKIN! Escaping hydraulic oil under pressure can have sufficient force to penetrate your skin, causing serious personal injury. If injured by escaping fluid, obtain medical treatment immediately!

KEEP BYSTANDERS AWAY. To avoid injury from flying chips of stone or concrete, be sure others stay well away from the breaker when it is operating.

ALWAYS wear eye and hearing protection. We recommend wearing a face shield as additional face and eye protection.

IMPORTANT SAFETY RULES TO FOLLOW

BOOM DOWN PRESSURE: Proper boom down pressure must be applied to achieve maximum breaking ability. If the down pressure is not sufficient, the energy created will be transferred to the carrier, not the concrete or rock. This could lead to stress on the breaker and the carrier, which could result in damage.

THRUST DIRECTION: Always position the breaker perpendicular to the work surface. As the breaker travels downward, it will follow a curved path. Always reposition the carrier to keep perpendicular to the work. If breaking is done at an angle other than perpendicular, the tool may slip off the material or cause a bind between the working steel and the front bushing.

WORKING STEEL TRAVEL: Make sure the working steel travels freely in the bushing. If the steel does not move freely, it may be seized in the front bushings.

DRY FIRING HAMMER: As soon as the material has been broken, discontinue hammering immediately. The breaker and carrier may be adversely affected by idle strokes. **AVOID**

MOVING ROCKS WITH BREAKER Do Not use the breaker or working steel to roll, push material or reposition the carrier. This may cause damage to the mounting bolts, side plates, working steel or the carrier itself.

PRYING: Do not pry with the working steel, under any circumstances. This may cause damage to the bolts or failure of the working steel. Powdered "spoils" can become packed in a hole and will cause the steel to become stuck. Frequent re-positioning will help avoid this problem, as will correct selection of working steel.

LIFTING: Never use the working steel or breaker to lift with. This is dangerous and could damage the breaker or working steel.

POSITIONING THE BREAKER: Always maintain control of the breaker when positioning the working steel. Do not let the breaker drop on the material being broken. This could damage the breaker & base machine.

AVOID PROLONGED HAMMERING: Never hammer more than 45-60 seconds continuously in the same spot. When breaking hard material keep moving the working steel to avoid dulling the point or raising the oil temperature, which could result in a damaged accumulator, breaker or carrier.

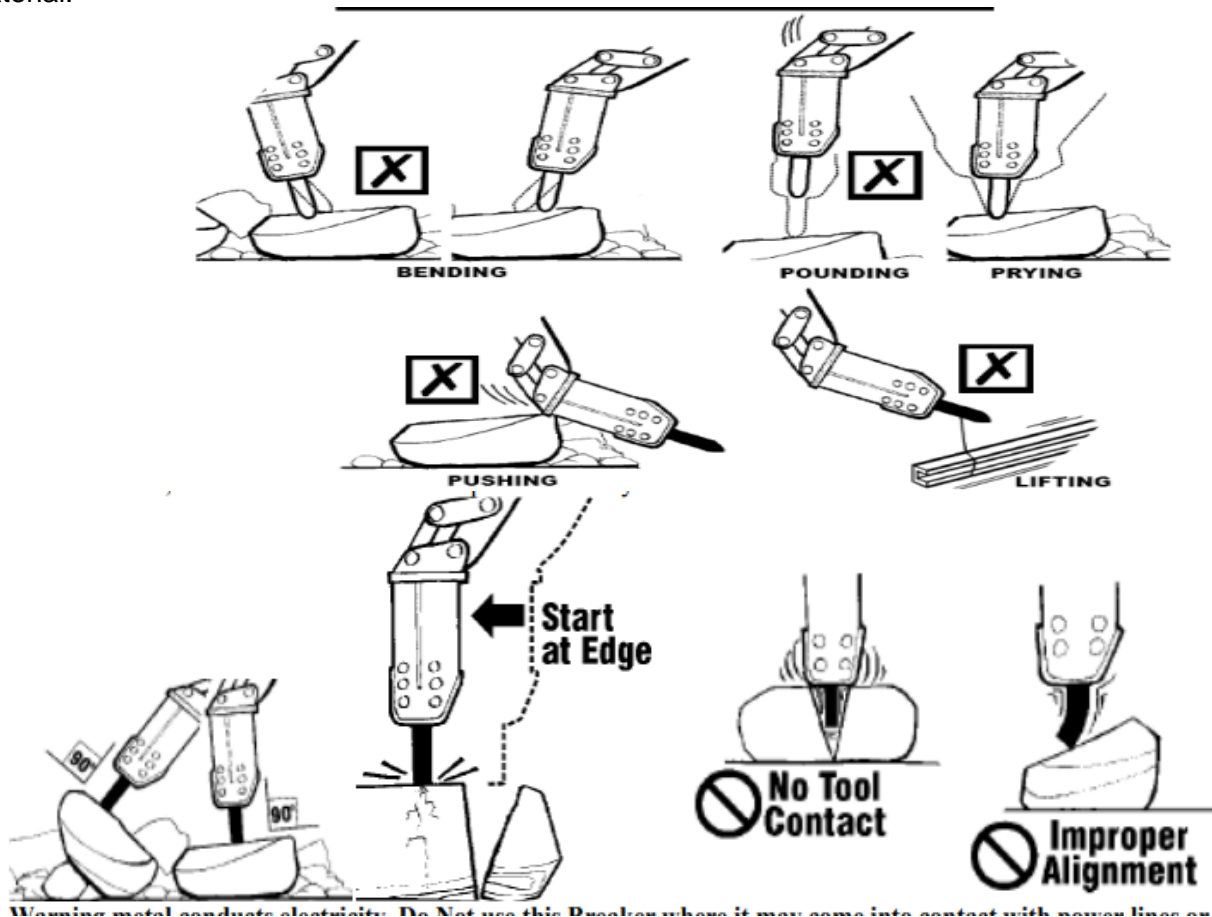
If the person receiving this handout will not be the user of the equipment, forward these instructions to the operator. **IF there is any doubt as to the operation or safety of the equipment DO NOT USE!! CALL ABC EQUIPMENT RENTAL IMMEDIATELY!! FAILURE TO FOLLOW THESE INSTRUCTIONS COULD RESULT IN INJURY OR DEATH.**

CUSTOMER'S COPY

BREAKING CONCRETE: Begin by penetrating the concrete several times in one area with the breaker tool. This should loosen the concrete and separate the reinforcing steel. The reinforcing steel may need to be cut, keeping the concrete pieces manageable for hauling away. When breaking concrete floors, use the down force from the carrier's boom cylinder to follow the tool through the concrete. Breaking vertical walls is more difficult, force must be maintained using a combination of boom, stick, and tilt cylinders. A fast blow rate gives the best performance in breaking concrete, so ensure your carrier is providing the breaker with the maximum recommended oil flow. Generally, when breaking concrete, a chisel point gives the best splitting action. However, if you are breaking hard concrete with lots of reinforcing steel, a moil point may be better. The moil tip allows the tool to deflect off the steel as it breaks through the concrete.

BREAKING HARD OR LARGE MATERIAL: When breaking oversized material, it is always better to break the ends or at a crack. Even large rocks can be broken in this manner.

BREAKING ROUND OR IRREGULARLY SHAPED MATERIAL: When breaking rounded material that might shift or move, careful positioning is required. Often, blunt working steel makes better contact with rounded rocks, and can be much easier to position firmly on the material.



Warning metal conducts electricity. Do Not use this Breaker where it may come into contact with power lines or

Warning metal conducts electricity. Do Not use this Breaker where it may come into contact with power lines or other electric circuits. Failure to comply to this warning will result in serious personal injury or death. Keep appropriate distances from High Voltage lines. Smart digging means calling 811 before each job. Whether you are a homeowner or a professional excavator, one call to 811 gets your underground utility lines marked for FREE!

If the person receiving this handout will not be the user of the equipment, forward these instructions to the operator. **IF there is any doubt as to the operation or safety of the equipment DO NOT USE!! CALL ABC EQUIPMENT RENTAL IMMEDIATELY!! FAILURE TO FOLLOW THESE INSTRUCTIONS COULD RESULT IN INJURY OR DEATH.**