

CHECKOFF LIST: RETURN TO COUNTER UPON COMPLETION.

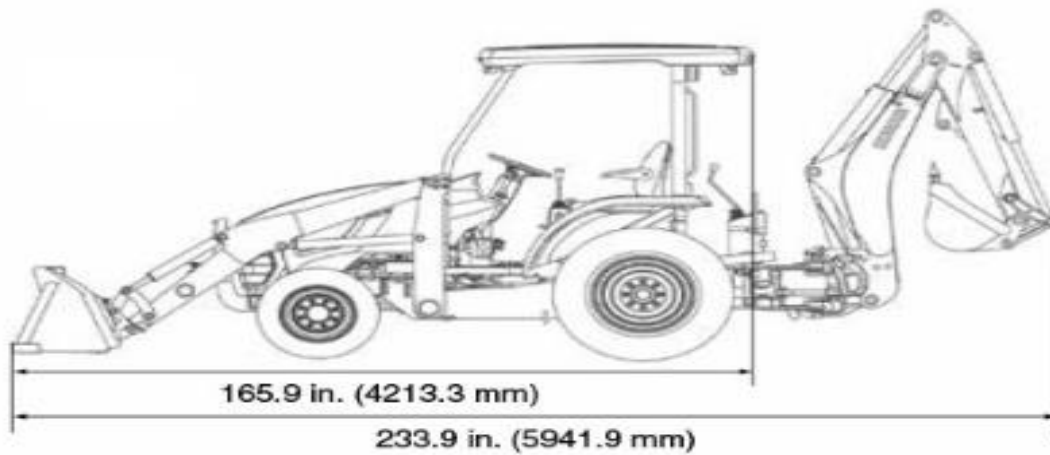
CUSTOMER NAME/CONTRACT NUMBER _____

CUSTOMER INITIALS TO NOTE DAMAGES AND KNOWLEDGE TO CONFIDENTLY OPERATE MACHINE SAFELY _____

EMPLOYEE INITIALS _____ HAVE PICTURES BEEN TAKEN _____

NOTE AND CIRCLE ANY PHYSICAL DAMAGES _____

FULL OF FUEL _____ OILS CHECKED _____



RIGHT SIDE TIRES _____ LEFT SIDE TIRES _____

FRONT LOADER _____ BACKHOE _____ BOX BLADE IF EQUIPPED _____

OUTRIGGERS _____ HYDRAULIC HOSES AND FITTINGS _____



SAFE OPERATION

TRACTOR

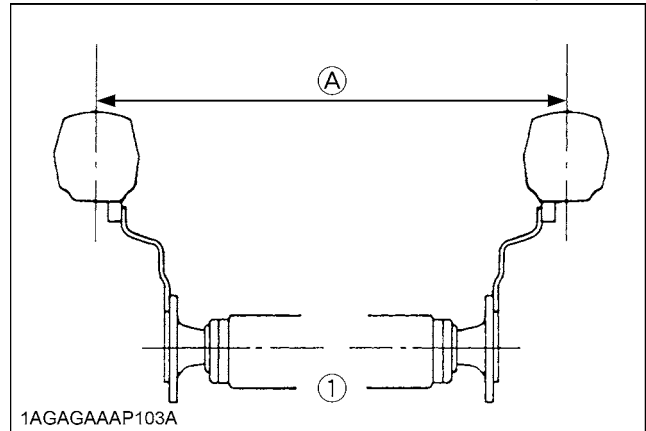
Careful operation is your best insurance against an accident.

Read and understand this manual carefully before operating the tractor.

All operators, no matter how much experience they may have, should read this and other related manuals before operating the tractor or any implement attached to it. It is the owner's obligation to instruct all operators in safe operation.

1. BEFORE OPERATING THE TRACTOR

1. Know your equipment and its limitations. Read this entire manual before attempting to start and operate the tractor.
2. Pay special attention to the danger, warning and caution labels on the tractor.
3. Do not operate the tractor or any implement attached to it while under the influence of alcohol, medication, controlled substances or while fatigued.
4. Carefully check the vicinity before operating tractor or any implement attached to it. Do not allow any bystanders around or near tractor during operation.
5. Before allowing other people to use your tractor, explain how to operate and have them read this manual before operation.
6. Never wear loose, torn, or bulky clothing around tractor. It may catch on moving parts or controls, leading to the risk of an accident. Use additional safety items, e.g. hard hat, safety boots or shoes, eye and hearing protection, gloves, etc., as appropriate or required.
7. Do not allow passengers to ride on any part of the tractor at anytime. The operator must remain in the tractor seat during operation.
8. Check brakes, clutch, linkage pins and other mechanical parts for improper adjustment and wear. Replace worn or damaged parts promptly. Check the tightness of all nuts and bolts regularly. (For further details, see "MAINTENANCE" section.)
9. Keep your tractor clean. Dirt, grease, and trash build up may contribute to fires and lead to personal injury.
10. Use only implements meeting the specifications listed under "IMPLEMENT LIMITATIONS" in this manual or implements approved by KUBOTA.
11. Use proper weights on the front or rear of the tractor to reduce the risk of upsets. When using the front loader, put an implement or ballast on the 3-point hitch to improve stability. Follow the safe operating procedures specified in the implement or attachment manual.
12. The narrower the tread, the greater the risk of a tractor upset. For maximum stability, adjust the wheels to the widest practical tread width for your application. (See "TIRES, WHEELS AND BALLAST" section.)



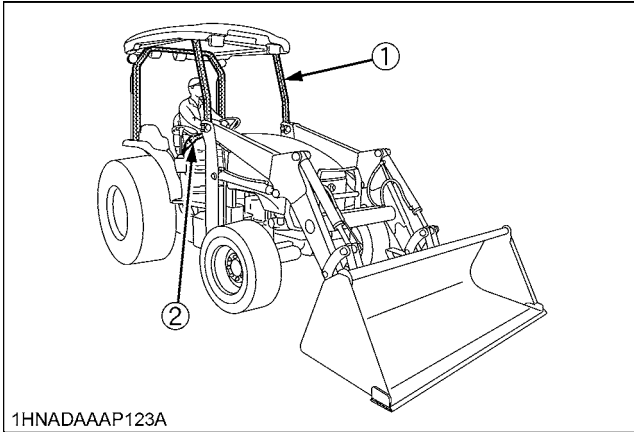
(1) Rear wheels

(A) Tread Width

13. Do not modify the tractor. Unauthorized modification may affect the function of the tractor, which may result in personal injury.

◆ CAB, ROPS

1. KUBOTA recommends the use of a CAB or Roll Over Protective Structures (ROPS) and seat belt in almost all applications. This combination will reduce the risk of serious injury or death, should the tractor be upset. Check for overhead clearance which may interfere with a CAB or ROPS.
2. If the CAB or ROPS is loosened or removed for any reason, make sure that all parts are reinstalled correctly before operating the tractor.
3. Never modify or repair any structural member of a CAB or ROPS because welding, bending, drilling, grinding, or cutting may weaken the structure.
4. A damaged CAB or ROPS structure must be replaced, not repaired or revised.
5. If any structural member of the CAB or ROPS is damaged, replace the entire structure at your local KUBOTA Dealer.
6. Always use the seat belt if the tractor has a CAB or ROPS. Do not use the seat belt if there is no CAB or ROPS. Check the seat belt regularly and replace if frayed or damaged.



1HNADAAAP123A

- (1) ROPS
- (2) Seat belt

2. OPERATING THE TRACTOR

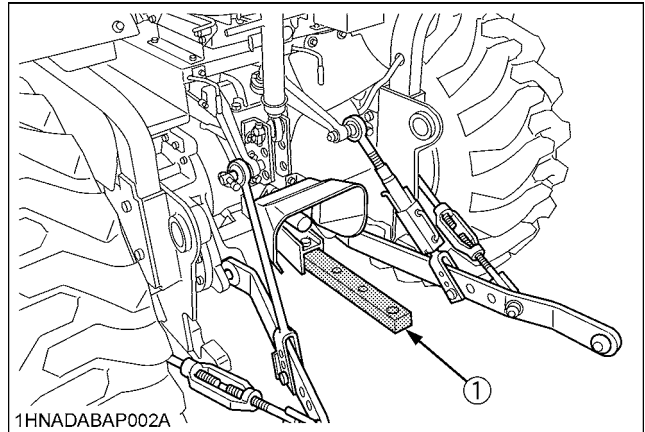
Operator safety is a priority. Safe operation, specifically with respect to overturning hazards, entails understanding the equipment and environmental conditions at the time of use. Some prohibited uses which can affect overturning hazards include traveling and turning with implements and loads carried too high etc. This manual sets forth some of the obvious risks, but the list is not, and cannot be, exhaustive. It is the operator's responsibility to be alert for any equipment or environmental condition that could compromise safe operation.

◆ Starting

1. Always sit in the operator's seat when starting engine or operating levers or controls. Never start engine while standing on the ground.
2. Before starting the engine, make sure that all levers (including auxiliary control levers) are in their neutral positions, that the parking brake is engaged, and that both the clutch and the Power Take-Off (PTO) are disengaged or "OFF".
Fasten the seat belt if the tractor has a CAB, a fixed ROPS or a foldable ROPS in the upright and locked position.
3. Do not start engine by shorting across starter terminals or bypassing the safety start switch. Machine may start in gear and move if normal starting circuitry is bypassed.
4. Do not operate or idle engine in a non-ventilated area. Carbon monoxide gas is colorless, odorless, and deadly.
5. Check before each use that operator presence controls are functioning correctly. Test safety systems. (See "Checking Engine Start System" in "EVERY 50 HOURS" in "PERIODIC SERVICE" section.)
Do not operate unless they are functioning correctly.

◆ Working

1. Pull only from the drawbar. Never hitch to axle housing or any other point except drawbar; such arrangements will increase the risk of serious personal injury or death due to a tractor upset.



1HNADABAP002A

- (1) Drawbar (option)

2. For trailing PTO-driven implements, set the drawbar to the towing position.
3. Attach pulled or towed loads to the drawbar only.
4. Keep all shields and guards in place. Replace any that are missing or damaged.
5. Avoid sudden starts. To avoid upsets, slow down when turning, on uneven ground, and before stopping.
6. The tractor cannot turn with the differential locked and attempting to do so could be dangerous.
7. Do not operate near ditches, holes, embankments, or other ground surface features which may collapse under the tractor's weight. The risk of tractor upset is even higher when the ground is loose or wet. Tall grass can hide obstacles, walk the area first to be sure.
8. Watch where you are going at all times. Watch for and avoid obstacles. Be alert at row ends, near trees, and other obstructions.
9. When working in groups, always let the others know what you are going to do before you do it.
10. Never try to get on or off a moving tractor.
11. Always sit in the operator's seat when operating levers or controls.
12. Do not stand between tractor and implement or trailed vehicle unless parking brake is applied.

◆ Safety for children

Tragedy can occur if the operator is not alert to the presence of children. Children generally are attracted to machines and the work they do.

1. Never assume that children will remain where you last saw them.
2. Keep children out of the work area and under the watchful eye of another responsible adult.
3. Be alert and shut your machine down if children enter the work area.
4. Never carry children on your machine. There is no safe place for them to ride. They may fall off and be run over or interfere with your control of the machine.
5. Never allow children to operate the machine even under adult supervision.
6. Never allow children to play on the machine or on the implement.
7. Use extra caution when backing up. Look behind and down to make sure area is clear before moving.

◆ Operating on slopes

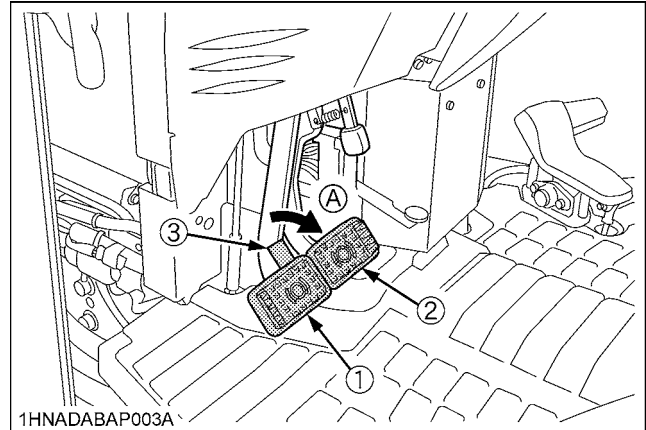
Slopes are a major factor related to loss-of-control and tip-over accidents, which can result in severe injury or death. All slopes require extra caution.

1. To avoid upsets, always back up steep slopes. If you cannot back up the slope or if you feel uneasy on it, do not operate on it. Stay off slopes too steep for safe operation.
2. Driving forward out of a ditch, mired condition or up a steep slope increases the risk of a tractor to be upset backward. Always back out of these situations. Extra caution is required with 4-wheel drive models because their increased traction can give the operator false confidence in the tractor's ability to climb slopes.
3. Keep all movement on slopes slow and gradual. Do not make sudden changes in speed, direction or apply brake and make sudden motions of the steering wheel.
4. Avoid changing gears speed when climbing or going down a slope. If on a slope changing gears to neutral could cause loss of control.
5. Special attention should be made to the weight and location of implements and loads as such will affect the stability of the tractor.
6. To improve stability on slope, set widest wheel tread as shown in "TIRES, WHEELS AND BALLAST" section.

Follow recommendations for proper ballasting.

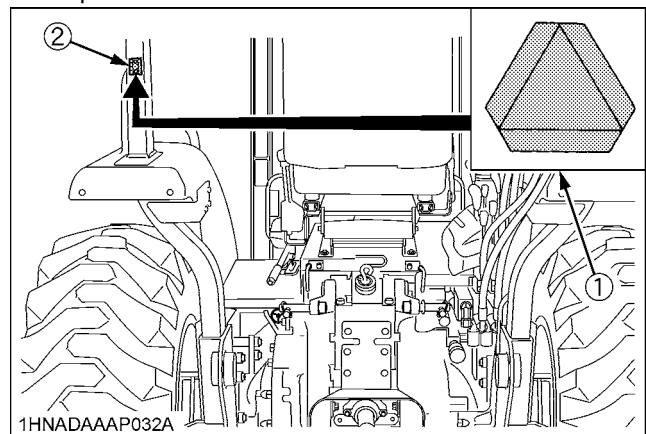
◆ Driving the tractor on the road

1. Lock the 2 brake pedals together to help assure straight-line stops. Uneven braking at road speeds could cause the tractor to tip over.



- (1) Brake Pedal (LH) (A) Whenever travelling on the road
 (2) Brake Pedal (RH)
 (3) Brake Pedal Lock

2. Check the front wheel engagement. The braking characteristics are different between 2 and 4-wheel drive. Be aware of the difference and use carefully.
3. Always slow the tractor down before turning. Turning at high speed may tip the tractor over.
4. Make sure that the Slow Moving Vehicle (SMV) sign is clean and visible. Use hazard lights and turn signals as required.

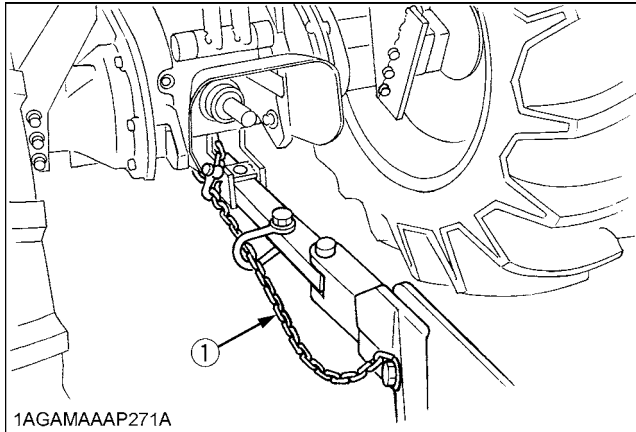


- (1) SMV emblem
 (2) Bracket

5. On public roads use the SMV emblem and hazard lights, if required by local traffic and safety regulations.
6. Observe all local traffic and safety regulations.
7. Turn the headlights on. Dim them when meeting another vehicle.
8. Drive at speeds that allow you to maintain control at all times.
9. Do not apply the differential lock while traveling at road speeds. The tractor may run out of control.

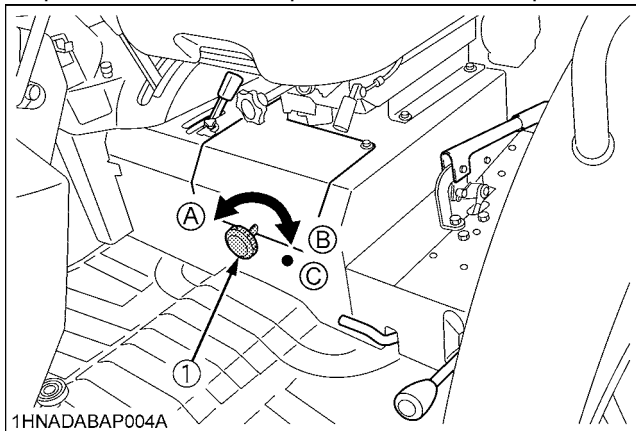
▲-4 SAFE OPERATION

10. Avoid sudden motions of the steering wheel as they can lead to a dangerous loss of stability. The risk is especially great when the tractor is traveling at road speeds.
11. Do not operate an implement while the tractor is on the road. Lock the 3-point hitch in the raised position.
12. When towing other equipment, use a safety chain and place an SMV emblem on it as well.



(1) Safety chain

13. Set the implement lowering speed knob in the "LOCK" position to hold the implement in the raised position.



(1) 3-point hitch lowering speed knob

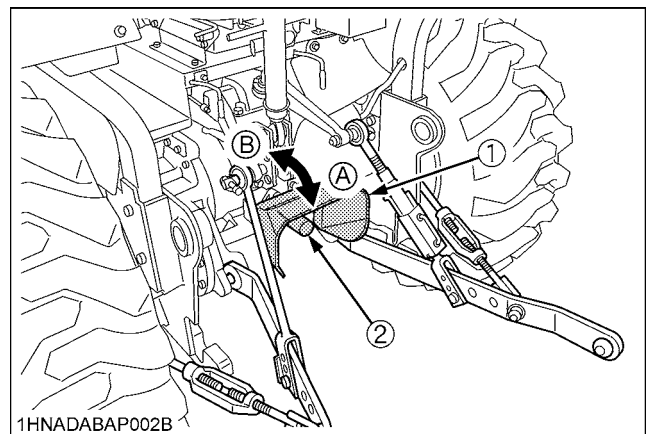
- (A) "FAST"
(B) "SLOW"
(C) "LOCK"

3. PARKING THE TRACTOR

1. Disengage the PTO, lower all implements to the ground, place all control levers in their neutral positions, set the parking brake, stop the engine, and remove the key from the ignition and lock the cab door (if equipped). Leaving transmission in gear with the engine stopped will not prevent tractor from rolling.
2. Make sure that the tractor has come to a complete stop before dismounting.
3. Avoid parking on steep slopes, if at all possible park on a firm and level surface; if not, park across a slope with chock the wheels.
Failure to comply with this warning may allow the tractor to move and could cause injury or death.

4. OPERATING THE PTO

1. Wait until all moving components have completely stopped before getting off the tractor, connecting, disconnecting, adjusting, cleaning, or servicing any PTO driven equipment.
2. Keep the PTO shaft cover in place at all times. Replace the PTO shaft cap when the shaft is not in use.

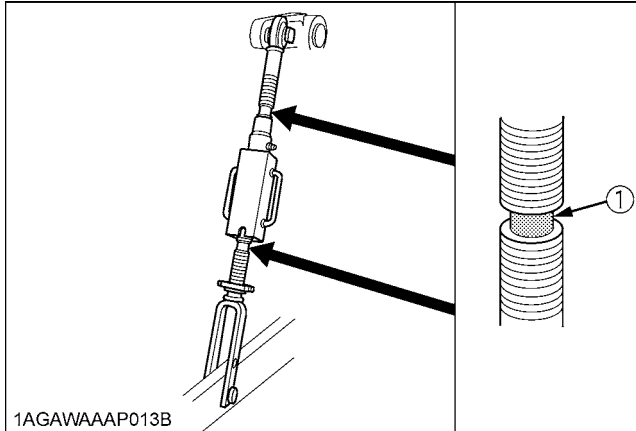


- (1) PTO Shaft cover (A) "NORMAL POSITION"
(2) PTO Shaft cap (B) "RAISED POSITION"

3. Before installing or using PTO driven equipment, read the manufacturer's manual and review the safety labels attached to the equipment.
4. When operating stationary PTO driven equipment, always apply the tractor parking brake and place chocks behind and in front of the rear wheels. Stay clear of all rotating parts. Never step over rotating parts.

5. USING 3-POINT HITCH

1. Use the 3-point hitch only with equipment designed for 3-point hitch usage.
2. When using a 3-point hitch mounted implement, be sure to install the proper counterbalance weight on the tractor.
3. To avoid injury from separation (M62 only):
Do not extend lift rod beyond the groove on the threaded rod.



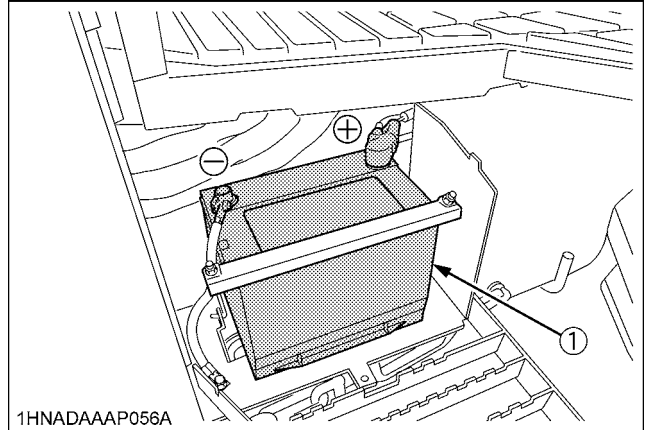
(1) Groove

6. SERVICING THE TRACTOR

Before servicing the tractor, park it on a firm, flat and level surface, set the parking brake, lower all implements to the ground, place the gear shift lever in neutral, stop the engine and remove the key.

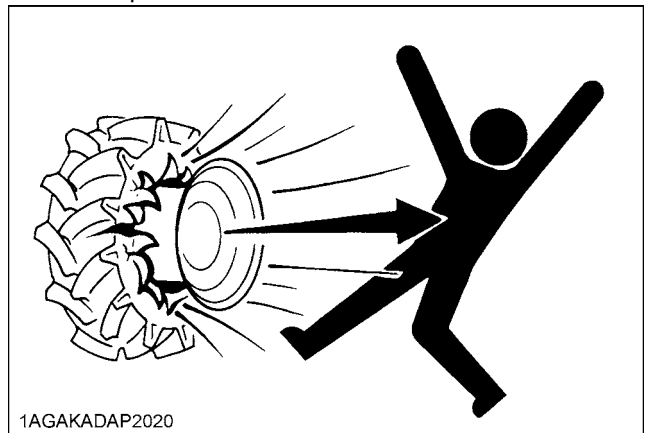
1. Allow the tractor time to cool off before working on or near the engine, muffler, radiator, etc.
2. Do not remove radiator cap while coolant is hot. When cool, slowly rotate cap to the first stop and allow sufficient time for excess pressure to escape before removing the cap completely. If the tractor has a coolant recovery tank, add coolant or water to the tank, not the radiator. (See "Checking Coolant Level" in "DAILY CHECK" in "PERIODIC SERVICE" section.)
3. Always stop the engine before refueling. Avoid spills and overfilling.
4. Do not smoke when working around battery or when refueling. Keep all sparks and flames away from battery and fuel tank. The battery presents an explosive hazard, because it gives off hydrogen and oxygen especially when recharging.
5. Before "jump starting" a dead battery, read and follow all of the instructions. (See "JUMP STARTING" in "OPERATING THE ENGINE" section.)
6. Keep first aid kit and fire extinguisher handy at all times.
7. Disconnect the battery's ground cable before working on or near electric components.

8. To avoid the possibility of battery explosion, do not use or charge the refillable type battery if the fluid level is below the LOWER (lower limit level) mark. Check the fluid level regularly and add distilled water as required so that the fluid level is between the UPPER and LOWER levels.
9. To avoid sparks from an accidental short circuit, always disconnect the battery's ground cable (-) first and reconnect it last.



(1) Battery

10. Do not attempt to mount a tire on a rim. This should be done by a qualified person with the proper equipment.
11. Always maintain the correct tire pressure. Do not inflate tires above the recommended pressure shown in the operator's manual.



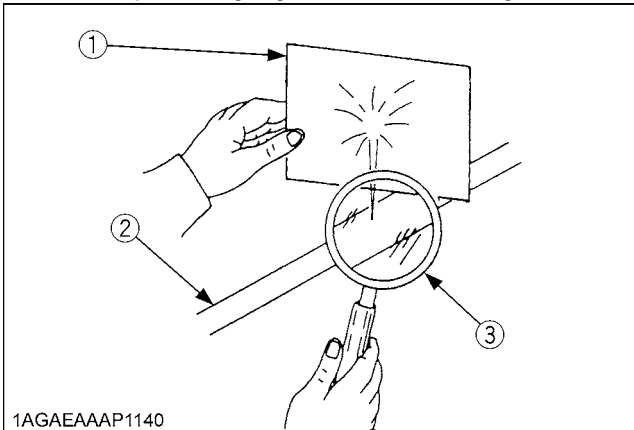
12. Securely support the tractor when either changing wheels or adjusting the wheel tread width.
13. Make sure that wheel bolts have been tightened to the specified torque.
14. Do not work under any hydraulically supported devices. They can settle, suddenly leak down, or be accidentally lowered. If it is necessary to work under tractor or any machine elements for servicing or adjustment, securely support them with stands or suitable blocking beforehand.

▲-6 SAFE OPERATION

15. Escaping hydraulic fluid under pressure has sufficient force to penetrate skin, causing serious personal injury. Before disconnecting hydraulic lines, be sure to release all residual pressure. Before applying pressure to the hydraulic system, make sure that all connections are tight and that all lines, pipes, and hoses are free of damage.



16. Fluid escaping from pinholes may be invisible. Do not use hands to search for suspected leaks; use a piece of cardboard or wood. Use of safety goggles or other eye protection is also highly recommended. If injured by escaping fluid, see a medical doctor at once. This fluid will produce gangrene or severe allergic reaction.



- (1) Cardboard
- (2) Hydraulic line
- (3) Magnifying glass

17. Do not open high-pressure fuel system.
High-pressure fluid remaining in fuel lines can cause serious injury. Do not disconnect nor attempt to repair fuel lines, sensors, or any other components between the high-pressure fuel pump and injectors on engines with high pressure common rail fuel system.

18. To avoid hazardous high voltage, turn the key switch to the OFF position if it is necessary to check to repair the computer, harness or connectors.

19. During Diesel Particulate Filter (hereinafter called DPF) regenerating operations, exhaust gases and exhaust filter components reach temperatures hot enough to burn people, or ignite or melt common materials.

20. Keep the tractor away from people, animals or structures which may be susceptible to harm or damage from hot exhaust gases.

21. To prevent fires, keep the DPF muffler and its surroundings clear of anything flammable and keep clean at all times.

22. During regeneration, white exhaust gas may be visible. Do not allow regeneration in a non-ventilated space.

23. During regeneration, do not leave the tractor.

LOADER

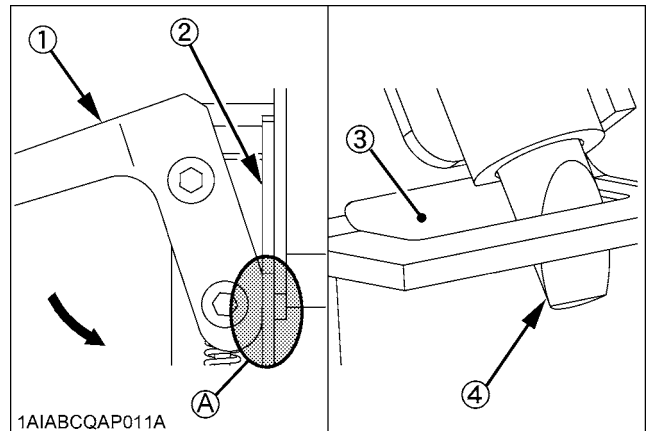
Most loader equipment accidents can be avoided by following simple safety precautions. These safety precautions, if followed at all times, will help you operate your loader safely.

1. BEFORE OPERATING THE LOADER

1. Read and understand all instructions and precautions found in both the tractor and the loader operator's manuals before using the loader.
Lack of knowledge can lead to accidents.
2. It is the owner's responsibility to ensure that anyone who will operate the loader reads this manual first and becomes familiar with the safe operation of the loader.
3. For your safety, a ROPS with a seat belt is strongly recommended by KUBOTA in almost all applications. If the tractor is not equipped with ROPS, it should not be operated in a situation where ROPS is recommended. If you have any questions, consult your local KUBOTA Dealer.
Always use the seat belt when the tractor is equipped with a ROPS. Never use the seat belt when the tractor is not equipped with a ROPS.
4. Visually check for hydraulic leaks and broken, missing, or malfunctioning parts.
Make necessary repairs before operating.
5. Replace damaged or illegible safety labels. See following pages for required labels.
6. Enter and exit the operator's seat only from left side of the tractor.
7. Engage the loader control valve lock to prevent accidental actuation when the implement is not in use or during transport. Do not utilize the valve lock for machine maintenance or repair.

8. Follow the precautions below when attaching implements.

- Make sure both handles (LH, RH) contact the ear plates at the points (A) and are all the way down.
- Make sure both lock pins (LH, RH) protrude through the pin slots.
- Kubota recommends the use of Kubota attachments on Kubota loaders. Non-Kubota attachments, if used, must comply with ISO 24410, first edition 2005-04-15.
- Use of a non-Kubota attachment that does not comply with ISO 24410 or the improper positioning of handle(s) or non-protrusion of pin(s) may result in detachment of the attachment or deformation, causing loss of performance, personal injury or death.



- (1) Handle
 (2) Ear plate
 (3) Pin slot
 (4) Lock pin

(A) The handle contacts the ear plate at the points.

2. OPERATING THE LOADER

1. Operate the loader only when properly seated at the controls. Do not operate from the ground.
2. Move and turn the tractor at low speeds.
3. Never allow anyone to get under the loader bucket or reach through the boom when the bucket is raised.
4. Keep children, others and livestock away when operating loader and tractor.
5. Do not walk or work under a raised loader bucket or attachment unless it is securely blocked and held in position.
6. For tractor stability and operator safety, rear ballast must be added to the 3-point hitch and to the rear wheels when using loader.
7. Exercise extra caution when operating the loader with a raised bucket or attachment.
8. Do not lift or carry any person on the loader, in the bucket, or other attachment.
9. Avoid loose fill, rocks and holes. They can be dangerous for loader operation or movement.
10. Avoid overhead wires and obstacles when the loader is raised. Contacting electric lines can cause electrocution.
11. Gradually stop the loader boom when lowering or lifting.
12. Use caution when handling loose or shiftable loads.
13. Using loaders for handling large, heavy, or shiftable objects is not recommended without proper handling attachments.
14. Handling large heavy objects can be extremely dangerous due to :
 - Danger of rolling the tractor over.
 - Danger of upending the tractor.
 - Danger of the object rolling or sliding down the loader boom onto the operator.
15. If you must perform this sort of work (item 14), protect yourself by :
 - Never lift the load higher than necessary to clear the ground.
 - Add rear ballast to the tractor to compensate for the load or use rear implement.
 - Never lift large objects with equipment that may permit them to roll back onto the operator.
 - Move slowly and carefully, avoiding rough terrain.
16. Never lift or pull a load from any point on the loader with a chain, rope, or cable. Doing so could cause a rollover or serious damage to the loader.
17. Be extra careful when operating the tractor on a slope, always operate up and down, never across the slope. Do not operate on steep slopes or unstable surfaces.
18. Carry loader boom at a low position during transport. (You should be able to see over the bucket.)
19. Allow for the loader length when making turns.

3. AFTER OPERATING THE LOADER


1. When loader work is complete and parking or storing, choose flat and hard ground. Lower the loader boom to the ground, stop the engine, set the brakes and remove the key before leaving the tractor seat.

4. SERVICING THE LOADER

1. Always wear safety goggles when servicing or repairing the machine.
2. Do not modify the loader. Unauthorized modification may affect the function of the loader, which may result in personal injury.
3. Do not use the loader as a work platform or a jack to support the tractor for servicing or maintenance. Securely support the tractor or any machine elements with stands or suitable blocking before working underneath. For your safety, do not work under any hydraulically supported devices. They can settle or suddenly leak down or be accidentally lowered.
4. Escaping hydraulic oil under pressure can have sufficient force to penetrate the skin, causing serious personal injury. Do not use hands to search for suspected leaks. If injured by escaping fluid, obtain medical treatment immediately.
5. Do not tamper with the relief valve setting. The relief valve is pre-set at the factory. Changing the setting can cause overloading of the loader and tractor which may result in serious personal injury.
6. When servicing or replacing pins in cylinder ends, bucket, etc., always use a brass drift and hammer. Failure to do so could result in injury from flying metal fragments.

DANGER, WARNING AND CAUTION LABELS OF THE TRACTOR

(1) Part No. TA040-4965-2

	<p>▲ DANGER</p>
	<p>TO AVOID POSSIBLE INJURY OR DEATH FROM A MACHINE RUNAWAY.</p> <ol style="list-style-type: none"> 1. Do not start engine by shorting across starter terminals or bypassing the safety start switch. Machine may start in gear and move if normal starting circuitry is bypassed. 2. Start engine only from operator's seat with transmission and PTO OFF. Never start engine while standing on the ground.

1AGAMAAAP3810

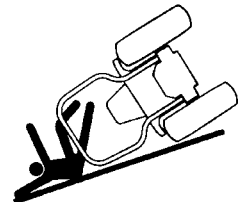
(4) Part No. TC420-4956-1

Diesel fuel only. No fire

	
<p>ULTRA LOW SULFUR DIESEL FUEL ONLY</p>	

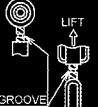
1AGAIDHAP154E

(2) Part No. 32771-4925-1

<p>▲ WARNING</p>	<p>TO AVOID PERSONAL INJURY OR DEATH FROM ROLL-OVER:</p> <ol style="list-style-type: none"> 1. Kubota recommends the use of a Roll-Over Protective structures (ROPS) and seat belt in almost all applications. 2. To ensure ROPS protection, do not operate tractor without loader mainframe. 3. Never use just the seat belt or just the ROPS. They must be used together. For further details, consult your Operator's Manual or your local dealer.
	


1HNACABAP0880

(5) Part No. TC660-4935-1

<p>▲ WARNING</p>	<p>▲ WARNING</p>
<p>TO AVOID PERSONAL INJURY OR DEATH:</p> <ol style="list-style-type: none"> 1. Attach pulled or towed loads to the drawbar only. 2. Use the 3-point hitch only with equipment designed for 3-point hitch usage. 	<p>TO AVOID PERSONAL INJURY OR DEATH FROM SEPARATION:</p> <p>Do not extend lift rod beyond the groove on the threaded rod.</p> 

1AGAHAKAP052A

(3) Part No. TA040-4959-3

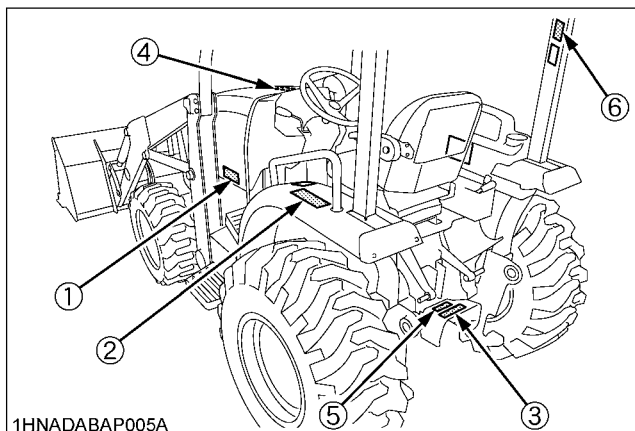
	<p>▲ WARNING</p>
	<p>TO AVOID PERSONAL INJURY.</p> <ol style="list-style-type: none"> 1. Keep PTO shield in place at all times. 2. Do not operate the PTO at speeds faster than the speed recommended by the implement manufacturer 3. For trailing PTO-driven implements, set drawbar at towing position (see operator's manual)

1AGAMAAAP3830

(6) Part No. 6C140-4746-1

<p>▲ WARNING</p>
<p>TO AVOID PERSONAL INJURY:</p> <p>Do not modify or repair a ROPS because welding, grinding, drilling or cutting any portion may weaken the structure.</p>

1AGAMAAAP3870

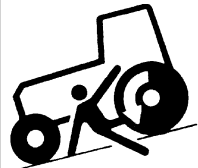


1HNADABAP005A

1HNADABAP009A

(1) Part No.TA240-4933-2

▲ WARNING



BEFORE DISMOUNTING TRACTOR:

- 1. ALWAYS SET PARKING BRAKE.**
Leaving transmission in gear with the engine stopped will not prevent tractor from rolling.
- 2. PARK ON LEVEL GROUND WHENEVER POSSIBLE.**
If parking on a slope, position tractor across the slope.
- 3. LOWER ALL IMPLEMENTS TO THE GROUND.**
Failure to comply to this warning may allow the wheels to slip, and could cause injury or death.
- 4. STOP THE ENGINE.**

1AGAMAAAP3720

(2) Part No.TC660-9861-1

▲ WARNING

TO AVOID PERSONAL INJURY OR DEATH:

When the Diesel Particulate Filter (DPF) is in the regenerating mode, the exhaust gas and the DPF muffler become hot. During regeneration, take into account that the muffler will be very hot and keep the machine away from other people, animals, plants, and flammable material. Also keep the area near the DPF muffler clean and away from flammable material.

1AGAHAKAP051A

(3) Part No.6C540-4742-1

▲ W A R N I N G

TO AVOID PERSONAL INJURY OR DEATH:

1. Read and understand the operator's manual before operation.
2. Before starting the engine, make sure that everyone is at a safe distance from the tractor and that the PTO is OFF.
3. Do not allow passengers on the tractor at any time.
4. Before allowing other people to use the tractor, have them read the operator's manual.
5. Check the tightness of all nuts and bolts regularly.
6. Keep all shields in place and stay away from all moving parts.
7. Lock the two brake pedals together before driving on the road.
8. Slow down for turns, or rough roads, or when applying individual brakes.
9. On public roads use SMV emblem and hazard lights, if required by local traffic and safety regulations.
10. Pull only from the drawbar.
11. Before dismounting, lower the implement to the ground, set the parking brake, stop the engine and remove the key.
12. Securely support tractor and implements before working underneath.

1AGAEIAP035A

(4) Part No.32751-4921-2

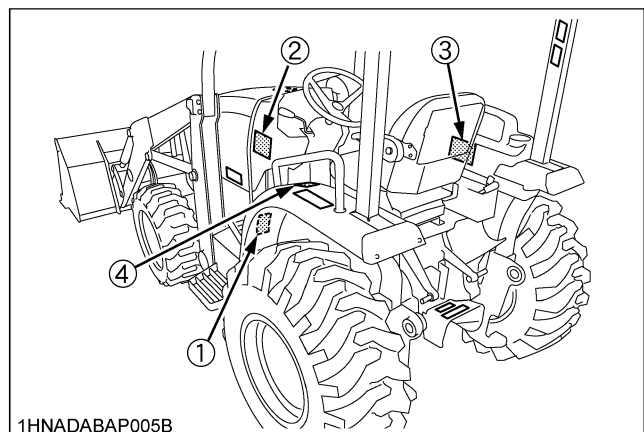
▲ WARNING

TO AVOID SERIOUS PERSONAL INJURY OR DEATH:

1. Keep tractor seat in forward position except when operating backhoe.
2. Using seat in reversed position while operating attachments other than backhoe may result in entanglement with PTO shaft or 3-point hitch.

1HNACABAP0770

1HNADABAP010A



1HNADABAP005B

[L47]

(1) Part No. 32781-3015-1



1HNACABAP0920

(2) Part No. 6C090-4958-2

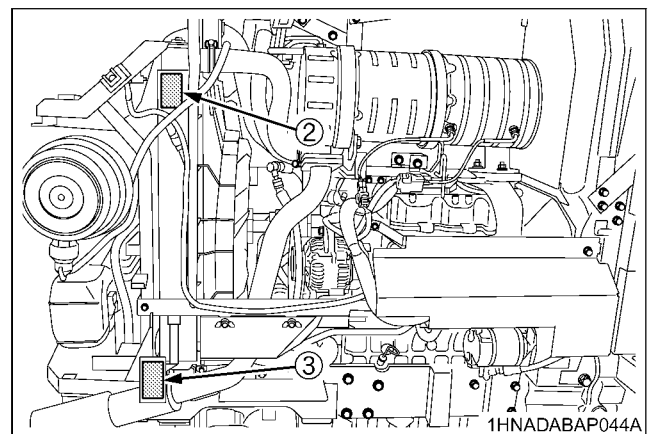
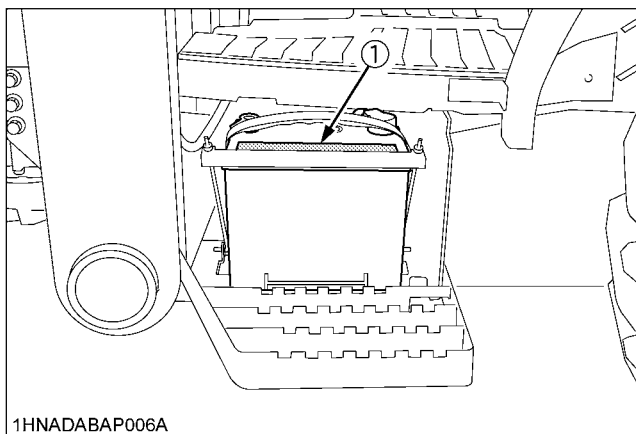
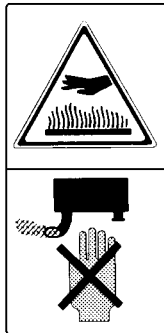
(Both sides)

Do not get your hands close to engine fan and fan belt.



(3) Part No. TC030-4958-1

Do not touch hot surface like muffler, etc.



1HNADABAP011A

[M62]

(1) Part No. 32791-3015-1

⚠ DANGER/POISON ¡PELIGRO/VENENO!			
 SHIELD EYES. EXPLOSIVE GASES CAN CAUSE BLINDNESS OR INJURY.	 NO • SPARKS • FLAMES • SMOKING	SULFURIC ACID CAN CAUSE BLINDNESS OR SEVERE BURNS.	 FLUSH EYES IMMEDIATELY WITH WATER. GET MEDICAL HELP FAST.
PROTÉGER LES YEUX. GAZ EXPLOSIFS PEUVENT RENDRE AVEUGLE OU PROVOQUER DES LÉSIONS.	ÉLOIGNER • ÉTINCELLES • FLAMMES • CIGARETTES	ACIDE SULFURIQUE PEUT RENDRE AVEUGLE OU PROVOQUER DES BRÛLURES GRAVES.	RINCER IMMÉDIATEMENT LES YEUX À GRANDE EAU. CONTACTER RAPIDEMENT UN MEMBRE DE LA PROFESSION MÉDICALE.
PROTEJA LOS OJOS. GASES EXPLOSIVOS PUEDEN CAUSAR CEGUERA O DAÑO.	NO • CHISPAS • FLAMAS • FUMAR	ACIDO SULFURICO PUEDE CAUSAR CEGUERA O QUEMADURAS SEVERAS.	LAVE LOS OJOS DE INMEDIATO. CONSIGA AYUDA MEDICA RAPIDO.
KEEP OUT OF THE REACH OF CHILDREN. DO NOT TIP. DO NOT OPEN BATTERY! MAINTENIR HORS DE LA PORTEE DES ENFANTS. NE RENVERSEZ PAS. N'OUVREZ PAS LA BATTERIE! MANTENGASE FUERA DEL ALCANCE DE LOS NIÑOS. NO INCLINE. NO ABRA LA BATERIA!			

1HNADAAAP1090

(2) Part No. 6C090-4958-2
(Both sides)

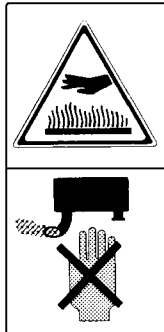
Do not get your hands close to engine fan and fan belt.



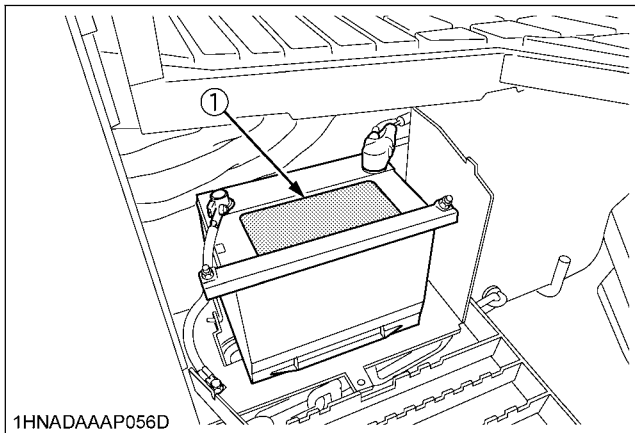
1AGAIAZAP110A

(3) Part No. TC030-4958-1

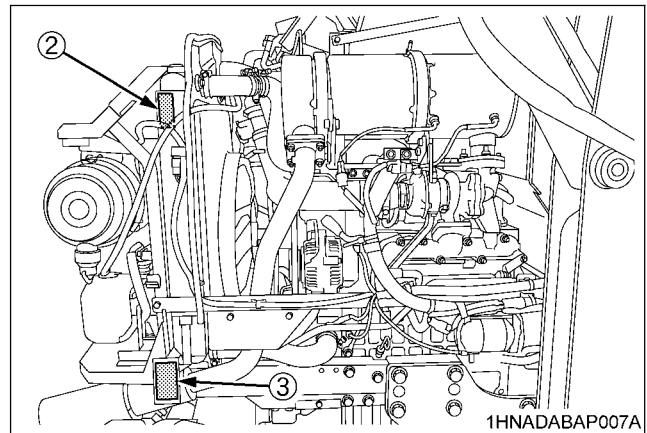
Do not touch hot surface like muffler, etc.



1AGAMAAAP3760



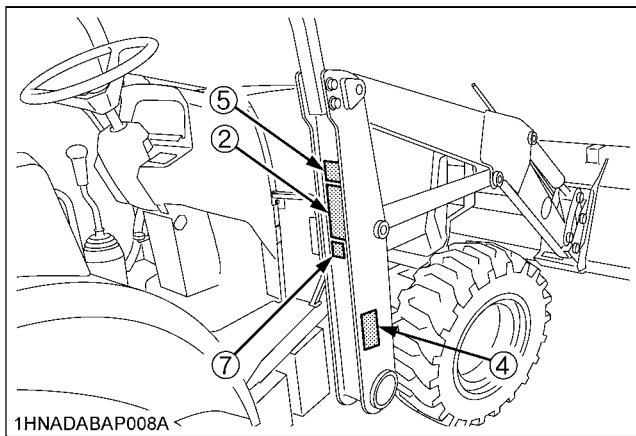
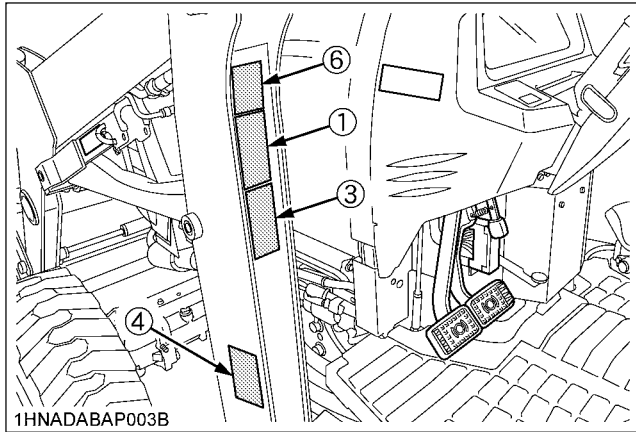
1HNADAAAP056D



1HNADABAP007A

1HNADABAP012A

DANGER, WARNING AND CAUTION LABELS OF THE LOADER



(1) Part No. 7J246-5643-1

▲ DANGER

TO AVOID SERIOUS INJURY OR DEATH CAUSED BY FALLING LOADS :

1. Load on raised bucket or fork can fall or roll back onto operator causing serious injury or death.
2. Use approved clamping and / or guard attachments for handling large, loose or shiftable loads such as bales, posts, sheets of plywood etc.
3. Carry loads as low as possible.

1AIABAHAP016A

(2) Part No. 7J246-5641-1

▲ DANGER

TO AVOID SERIOUS INJURY OR DEATH CAUSED BY ROLLOVERS :

1. ROPS and a fastened seat belt are strongly recommended in almost all applications. Foldable ROPS should be in upright and locked position if equipped.
2. Adjust rear wheels to the widest setting that is suitable for the work.
3. Add recommended wheel ballast and rear weight for stability.
4. DO NOT drive on steep slopes or unstable surfaces.
5. Carry loader arms at low position during transport. Move and turn tractor at slow speeds.

1AIABAHAP017A

(3) Part No. 7J061-5645-1

▲ WARNING

TO AVOID PERSONAL INJURY :

1. Observe safety precautions in loader and tractor Operator's Manual.
2. Operate the loader from tractor seat only.
3. Keep children, others and livestock away when operating loader and tractor.
4. Avoid holes, loose ground, and rocks which may cause tractor / loader to tip.
5. Make sure approved bucket is attached before removing loader from tractor.
6. When parking or storing, choose flat and hard ground. Lower the bucket to the ground, set brakes and remove key before leaving tractor.
7. Before disconnecting hydraulic lines, relieve all hydraulic pressure.

1AIABAHAP019G

(4) Part No. 7J246-5644-2
(Both sides)

▲ WARNING

TO AVOID INJURY FROM FALLS OR BEING CRUSHED :

1. DO NOT stand or work under raised loader or bucket.
2. DO NOT use loader as jack for servicing.
3. DO NOT use loader as a work platform.
4. NEVER connect chain, cable or rope to loader bucket while operating loader.

1AIABAHAP020A

(5) Part No. 7J061-5649-1

▲ WARNING

TO AVOID INJURY FROM CRUSHING :

1. Do not utilize the valve lock for machine maintenance or repair.
2. The valve lock is to prevent accidental actuation when implement is not in use or during transport.

1AIABACAP077G

(6) Part No. 7J246-5642-1

▲ DANGER

TO AVOID SERIOUS INJURY OR DEATH CAUSED BY CONTACT WITH ELECTRIC LINES:

- Check overhead clearance.

1AIABAHAP018A

(7) Part No. 7J437-7778-1

▲ WARNING

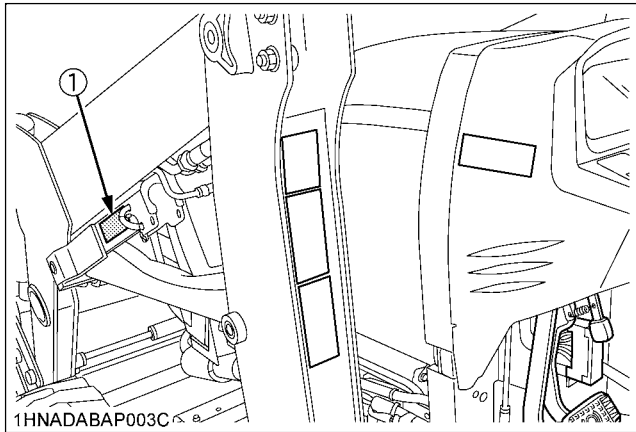
TO AVOID PERSONAL INJURY :

Always be aware of the loader attachment angle. Self-leveling function may vary depending on the loader lever stroke.

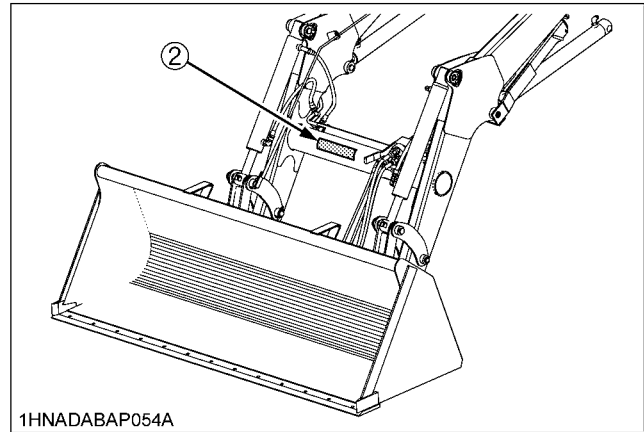
4FAAAAAAP002G

1HNADABAP013A

▲-14 SAFE OPERATION



[TL1800, TL1800V, TL1300, TL1300V]

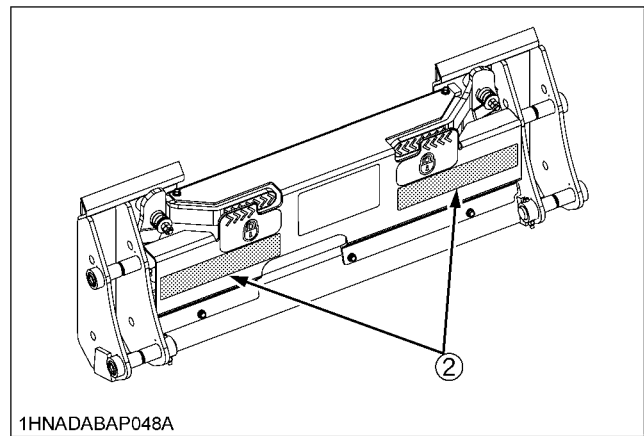


(1) Part No. 7J802-5848-3

	<h2>▲ WARNING</h2>
<p>Install cylinder lock before performing maintenance under raised loader arms. Failure to comply could result in death or serious injury.</p> <ul style="list-style-type: none"> ● Empty loader bucket and place in dump position, raise boom until boom lock channel can be positioned on cylinder rod, then stop engine. ● Pull pin and lower boom lock onto the cylinder rod, then insert pin into the hole of lower right corner of boom lock. ● Slowly lower boom until boom is stopped. 	

1HNADAAAP127A

[TL1810, TL1310]

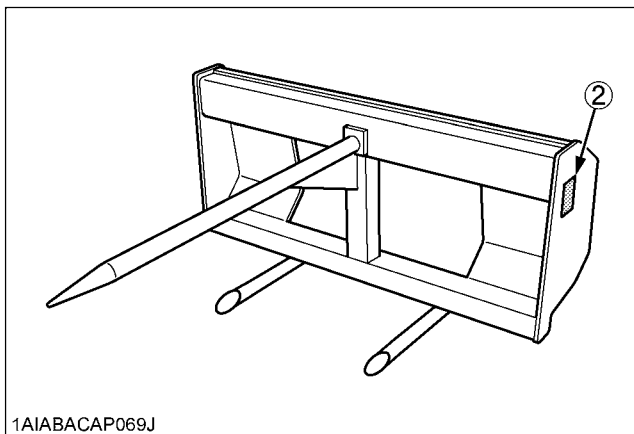
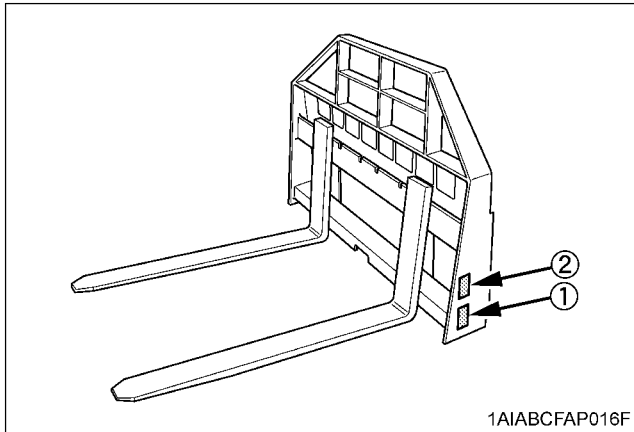


(2) Part No. 7J802-3648-5

▲ DANGER			
TO AVOID PERSONAL INJURY OR DEATH			
<p>1. Make sure both handles (LH, RH) (A) contact the ear plates (B) at the ✕ points and are all the way down.</p>	<p>2. Make sure both lock pins (LH, RH) (C) protrude through the pin slots (D).</p>		<p>Kubota recommends the use of Kubota attachments on Kubota loaders. Non-Kubota attachments, if used, must comply with ISO 24410, first edition 2005-04-15.</p> <p>Use of a non-Kubota attachment that does not comply with ISO 24410 or the improper positioning of handle(s) or non-protrusion of pin(s) may result in detachment of the attachment or deformation, causing loss of performance, personal injury or death.</p>
<p>(A) HANDLE (B) EAR PLATE (C) LOCK PIN (D) PIN SLOT</p>			<p>For information contact your Kubota Dealer</p>

1AIABAAAP119A

1HNADABAP014A



1HNADABAP060A

(1) Part No. 7J417-3923-6

▲ DANGER

PALLET FORK SPECIFICATION

- **Rated capacity**
 LA1002, TL1000A-2, TL1300: 1500 LBS. (680 kg)
 LA1153, LA1154 : 1700 LBS. (771 kg)
 LA1301S-1, LA1353, LA1403, LA1654, LA1941, LA1953, LA1954, LA1955, TL1350, TL1800 : 2000 LBS. (907 kg)
 LA1601S, LA2253, LA2254, LA2255 : 2400 LBS. (1089 kg)
- **The distance to its center of gravity from the attachment face**
 LA1002, TL1000A-2, TL1300, LA1153, LA1154 : 22.8in (575 mm)
 LA1301S-1, LA1353, LA1403, LA1654, LA1941, LA1953, LA1954, LA1955, LA1601S, LA2253, LA2254, LA2255, TL1350, TL1800: 25.8in (650 mm)
- **The weight of the attachment**
 : 246 LBS. (111 kg)

TO AVOID PERSONAL INJURY OR DEATH CAUSED BY ROLLOVER

- Do not exceed rated load listed above.
- Use rear implement and tire ballast recommended in loader operator's manual.
- Operate tractor slowly taking special care when turning.

1AIABACAP085A

(2) Part No. 7J246-5643-1

▲ DANGER

TO AVOID SERIOUS INJURY OR DEATH CAUSED BY FALLING LOADS :

1. Load on raised bucket or fork can fall or roll back onto operator causing serious injury or death.
2. Use approved clamping and / or guard attachments for handling large, loose or shiftable loads such as bales, posts, sheets of plywood etc.
3. Carry loads as low as possible.

1AIABACAP075A

CARE OF DANGER, WARNING AND CAUTION LABELS

1. Keep danger, warning and caution labels clean and free from obstructing material.
2. Clean danger, warning and caution labels with soap and water, dry with a soft cloth.
3. Replace damaged or missing danger, warning and caution labels with new labels from your local KUBOTA dealer.
4. If a component with danger, warning and caution label (s) affixed is replaced with new part, make sure new label (s) is (are) attached in the same location (s) as the replaced component.
5. Mount new danger, warning and caution labels by applying on a clean dry surface and pressing any bubbles to outside edge.