

# PRE-RENTAL CHECK OFF LIST ROUGH TERRAIN SCISSOR LIFT

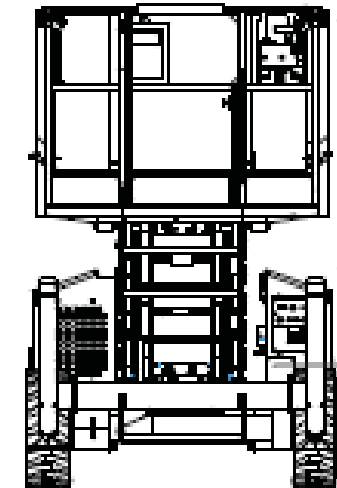
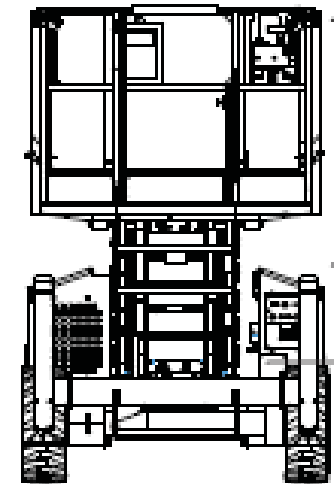
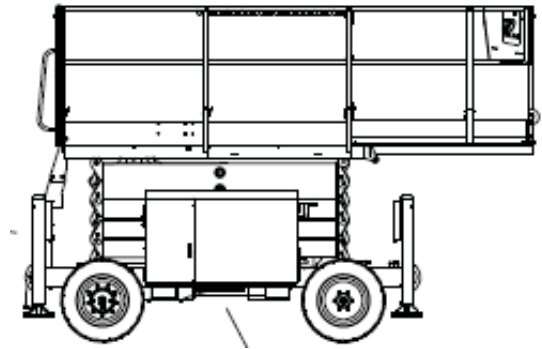
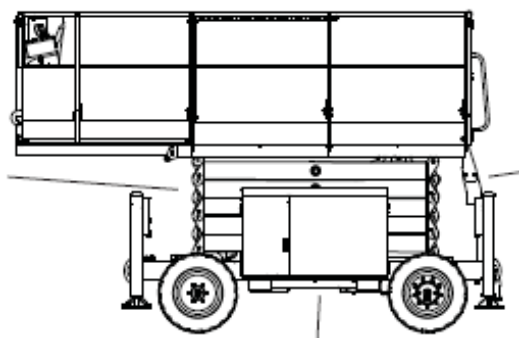
CUSTOMER NAME/ CONTRACT NUMBER \_\_\_\_\_

Customer Initials: \_\_\_\_\_ INITIALS INDICATE CUSTOMER HAS BEEN SHOWN OPERATION OF LIFT AND IS CONFIDENT OF OPERATION OF LIFT AND OPERATION MANUAL IS ON LIFT.

Employee Initials: \_\_\_\_\_

HAVE PICTURES BEEN TAKEN? YES / NO

IF NO PICTURES TAKE CIRCLE AND INDICATE AREAS OF DAMAGE



FULL OF DIESEL \_\_\_\_\_ CHECK OIL \_\_\_\_\_ VISUAL INSPECTION \_\_\_\_\_

PLEASE CHECK OFF ITEMS AS INSPECTED  
HAVE CUSTOMER AND ABC STAFF MEMBER INITIAL FORM AND RETURN TO FRONT DESK



CUSTOMER'S COPY

SAFETY AND OPERATION MANUAL FOR GENIE  
ROUGH TERRIAN SCISSOR LIFT



SCAN FOR COMPLETE OPERATION MANUAL

(MOBILE DEVICE WITH QUICK RESPONSE CODE APPLICATION REQUIRED)

